



MLA

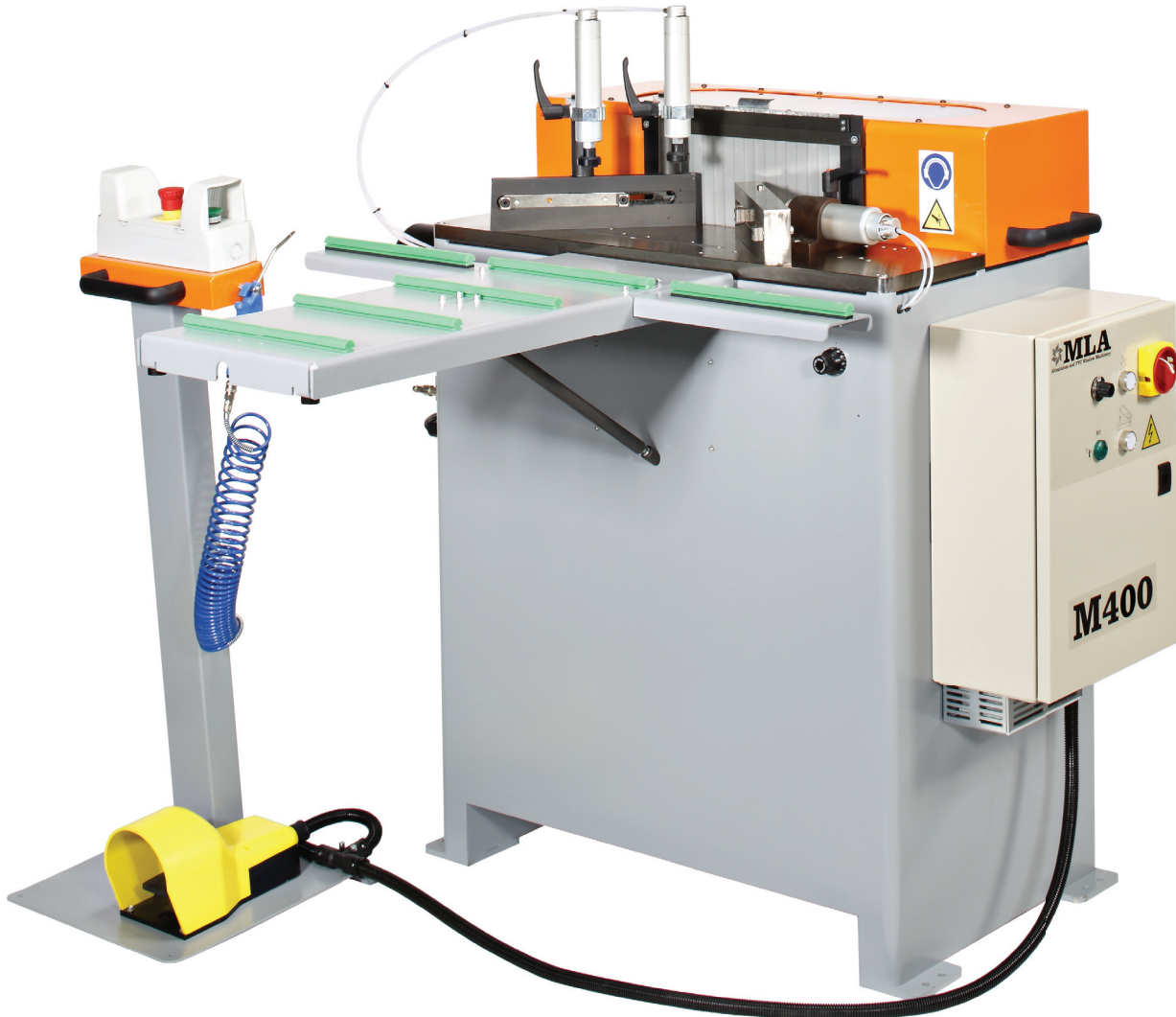
Steel, Alu and Pvc Doors&Windows Machinery



M400

Version 1.6 - 03/2015

Semiautomatic end-milling machine for aluminium and pvc profiles



CE

Code 101400

The end-milling machine M400 guarantees very high performances: better milling quality, increased forwarding speed and noise reduction.

This is due to:

- vibration-free movement on recirculating balls **linear guides/sliding shoes**;
- inverter** driven motor (2,2kw) reaching up to **6000rpm**;
- milling unit feed by an **oil-pneumatic cylinder**.

The M400 is conceived to mill profiles **up to 125mm in width** at any angles from 45° to 135°.

The profile is blocked by two vertical clamp cylinders and two opposing horizontal clamps, operating at low/high pressure.

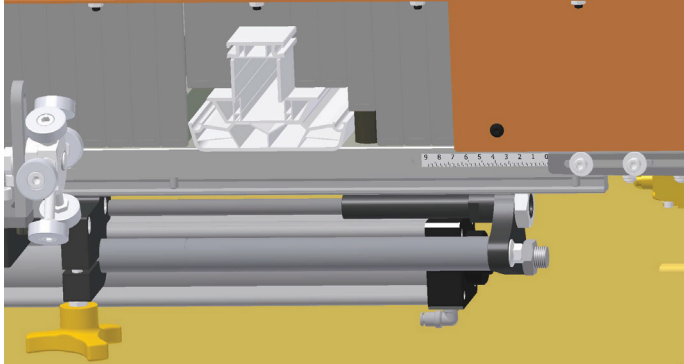
It is no more necessary for the operator to move around the machine to reach the control devices.

A special feature of M400 end-milling machine is represented by the **detached control station**, equipped with all main functions: blocking foot pedal switch, bimanual start buttons and emergency stop button.

The control station can be easily moved around the profile loading and unloading area.

On M400 end-milling machine it is possible to adjust both the milling starting point (by positioning the motor near the profile) and the milling end point (by regulating the limit micro-switch).

Thanks to a both lengthwise and vertically adjustable revolver with 6 stops, the profile milling depth can be regulated correctly.



Functioning

By pushing the foot pedal switch at the base of the control station, the low pressure clamping is activated.

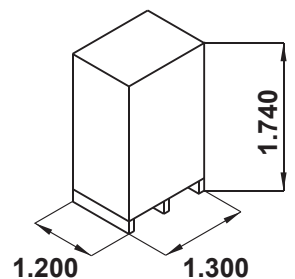
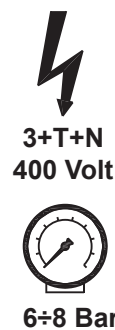
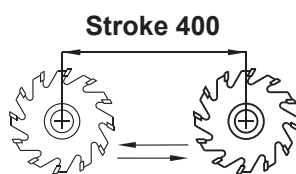
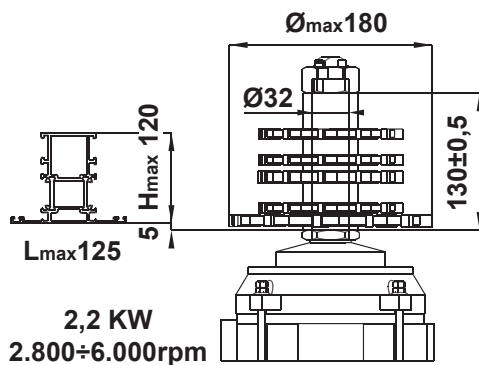
By pushing simultaneously the bimanual control device on the control station, the clamping becomes high pressure; the motor reaches the rotation speed previously set on the inverter; the milling starts and goes on until the milling unit touches the limit micro-switch.

The motor keeps on rotating and begins its return stroke, during which the *finishing milling* is realised.

The zero speed sensor detects when the motor is back to rest position. The motor stops quickly and the clamps open automatically.

It is possible to accomplish the (pneumatic) **rapid change** of the mills group by pushing the unblock button and by opening the protection cover (only when the motor is still and in rest position).

The machine can be equipped with an optional kit composed of micro mist-sprayer and 5lt tank for aluminium profiles working.

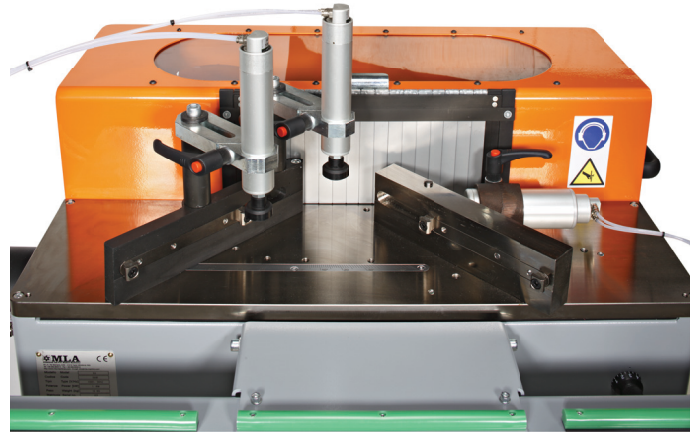


The Company reserves the right to amend and improve its products without notice.

The profile enters the working box passing through 5mm thick polycarbonate strips. These guarantee the operator's safety by shielding him from possible splintering tool and material, in compliance with the current safety rules.

The viewing window on top of the cover is made of scratch-resistant polycarbonate and ensures a perfect view of the working area throughout the years.

A connection to the aspirator Ø100mm is placed on the side of the cover.



The nickel-clad, ground and polished working surface guarantees ultimate smoothness and scratch-resistance.

The "T" nuts on the clamps act as a guide and vertical stop for the counter shapes, which can be inserted and replaced in few seconds.

Thanks to an optional conversion kit, it is possible to swap the M400's blocking system with the M420's and subsequently to perform milling operations at 90° on two profiles at the same time.

The ruler guide embedded in the working table (standard equipment of the M400), featuring extremely clear angular notches, ensures an accurate and clearly visible profile positioning at any angle.

The wide foldaway support enables to place the profile correctly.